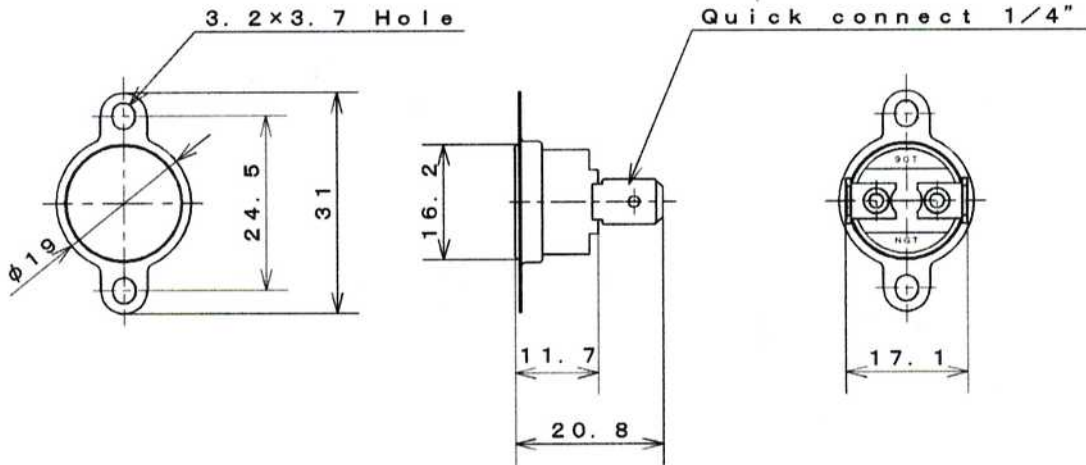


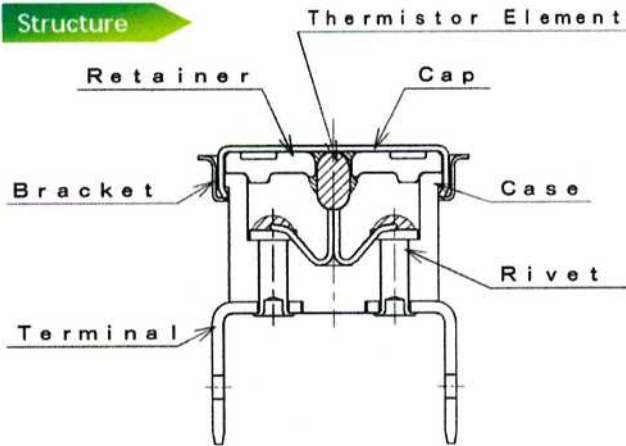
Dimensions



Materials of parts

Part	Material	Type
Sensing-cap	Aluminum	Surface-mounting
Bracket	Stainless steel	
Retainer	Aluminum	
Element		Hermetic type
Case	Polyester	
Rivet	Cu, Ni Alloy	
Terminals	Plated Brass	Quick-connect 1/4" 3/16"

Structure



Specification

Item	Specification
Temperature range	0~150°C (We can manage to be able to use it below 0°C if you like to)
Time-constant (63.2%)	With 20 seconds (surface of the heated plate)
Insulating resistance	Over 100MΩ by 500V DC500V megger
Dielectric strength	AC1,200V × one second (leakage current 0.5mA)

No.	PB-36	PB-41E	PB-43	PT-51F
Norminal-resistance (at 25)	2.186 kΩ	5.369 kΩ	0.68 kΩ (at 100)	49.12 kΩ
B-value (25-85°C)	3420K±68K	3480K±69K	3950K±2% (0-100°C)	3992K±79K

Above are the standard specifications. Please contact us for further information.