

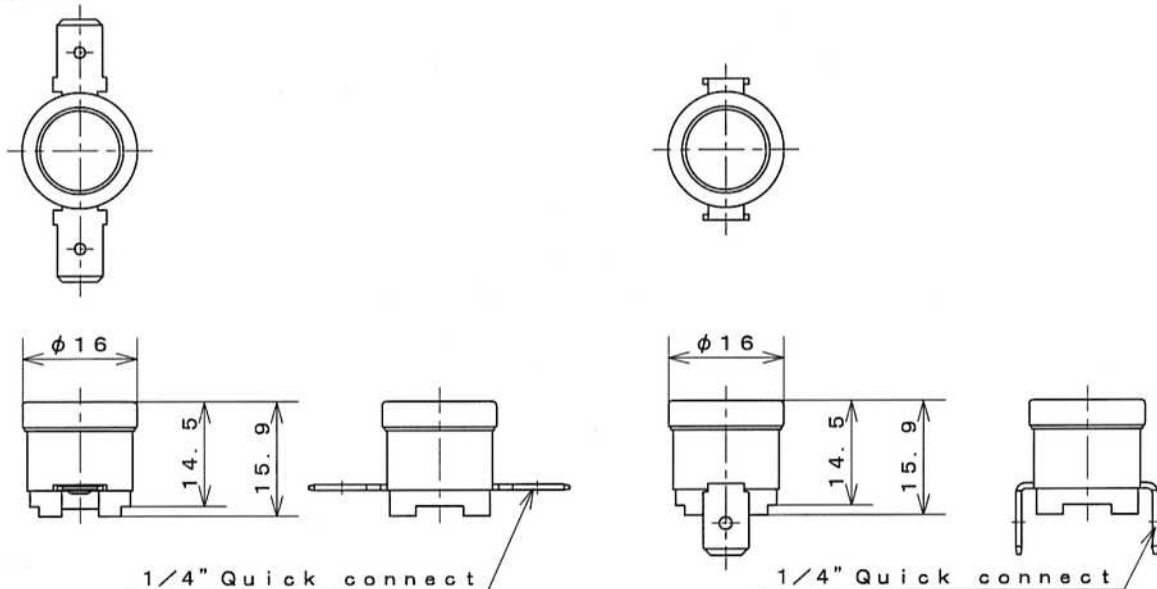


1/2" Disc Type Thermostat  
High Temp. & Four Legs Type

Type **07N**

UL·CSA·VDE  
Recognized

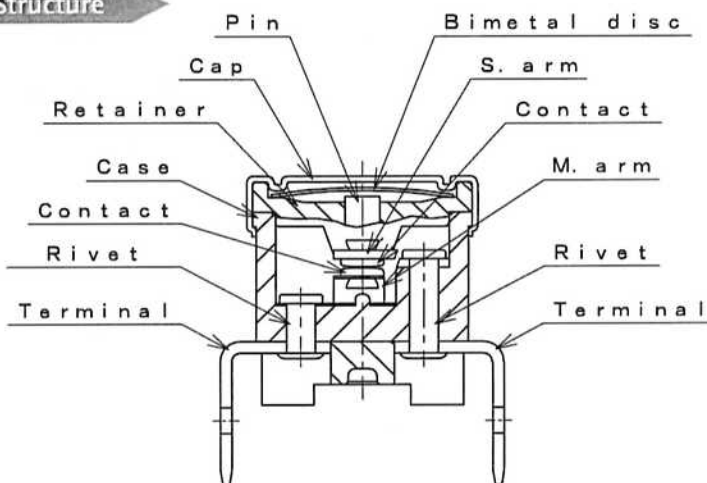
Dimensions



Materials of parts

Part	Material
Cap	Aluminum Copper Stainless steel
Case	Ceramic
M.arm	Beryllium Copper alloy
Terminals	Brass, Steel
Contacts	Silver-Nickel alloy

Structure



Specification

Item	Specification
1. Basic features	SPST Automatic reset
2. Operation	A : Contacts open on temperature rise    B : Contacts close on temperature rise
3. Electrical rating	VDE : AC250V/10A 100,000 Cycles    VDE : AC250V/10A 100,000 Cycles AC250V/13A 30,000 Cycles AC250V/16A 10,000 Cycles UL·C-UR : AC250V/10A 100,000 cycles
4. Calibration method	Hot & cold air circulation system
5. Temperature rating	Operating temperature Max. 230°C (VDE Normal open type Max. 210°C)
6. Insulation resistance	Not less than 1,000MΩ/DC500V
7. Dielectric strength	Not less than AC1,500V/1min. or AC1,800V/1sec.

Standard

UL·C-UR 873 C22.2 No.24    UL File    No. E43273  
DIN EN 60730-1, -2-9    VDE Licence No. 100896, 40004992

Issued : 2005.10. 28

Nippon GT Corporation

No. 047