

# Metering Valves

MS, MV, ML and MH Series



**FITOK**  
Valves and Fittings

[www.fitokgroup.com](http://www.fitokgroup.com)

## 1 Metering Valves

### Features

#### MS Series

- ⊙ Working pressure up to: 2000 psig (138 bar)
- ⊙ Working temperature: -10°F to 400°F (-23°C to 204°C)
- ⊙ Orifice size: 0.032" (0.81 mm)
- ⊙ Flow coefficient (Cv): 0.004
- ⊙ Stem taper: 1°
- ⊙ Turns to open: 9 to 12
- ⊙ Shutoff service: not available
- ⊙ Variety of end connections
- ⊙ Panel mountable
- ⊙ Flow pattern: straight, angle, cross and double
- ⊙ Handle type: knurled, vernier and slotted
- ⊙ Variety of materials available for valve body



#### MV and ML Series

- ⊙ Working pressure up to: 1000 psig (69 bar)
- ⊙ Working temperature: -10°F to 400°F (-23°C to 204°C)
- ⊙ Flow coefficients (Cv):
  - MV series: 0.03
  - ML series: 0.15
- ⊙ Orifice sizes:
  - MV series: 0.056" (1.42 mm)
  - ML series: 0.128" (3.25 mm)
- ⊙ Stem taper:
  - MV series: 3°
  - ML series: 6.5°
- ⊙ Turns to open:
  - MV series: 8 to 10
  - ML series: 10 to 11
- ⊙ Shutoff service:
  - MV series: not available
  - ML series: available
- ⊙ Variety of end connections
- ⊙ Panel mountable
- ⊙ Flow pattern: straight, angle, cross (MV Series) and double (MV Series)
- ⊙ Handle type:
  - MV series: knurled, vernier and slotted
  - ML series: round and vernier
- ⊙ Variety of materials available for valve body

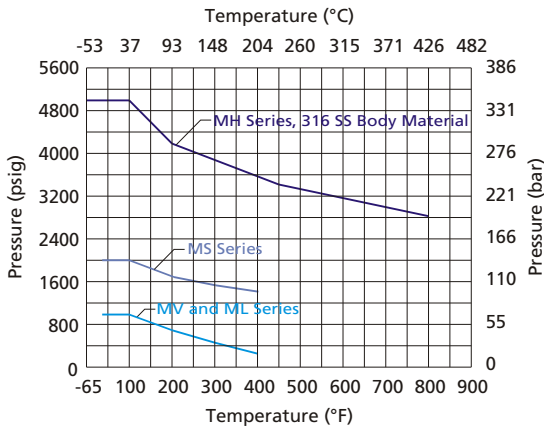


#### MH Series

- ⊙ Working pressure up to: 5000 psig (345 bar)
- ⊙ Working temperature: -65°F to 850°F (-54°C to 454°C)
- ⊙ Orifice size: 0.062" (1.6 mm)
- ⊙ Flow coefficient(Cv): 0.04
- ⊙ Stem taper: 2°
- ⊙ Shutoff service: available
- ⊙ Variety of end connections
- ⊙ Turns to open: 9 to 10
- ⊙ Panel mountable
- ⊙ Flow pattern: straight and angle
- ⊙ Handle type: round circular and vernier
- ⊙ Variety of materials available for valve body



## Pressure vs. Temperature



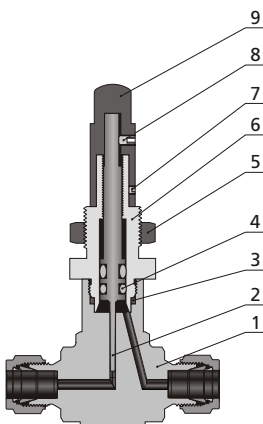
1. Graphs are based on stem packing.
2. Contact the authorized representative or FITOK Group for curve graph of other materials.

### Temperature Ranges for Different seal Materials

Seal Material	Temperature Range °F (°C)
<b>O-Ring (for MS, MV, ML Series)</b>	
Buna N	-10 to 212 (-23 to 100)
Ethylene Propylene	-10 to 300 (-23 to 148)
Fluorocarbon FKM	-10 to 400 (-23 to 204)
Kalrez	-10 to 527 (-23 to 275)
Neoprene	-10 to 250 (-23 to 121)
<b>Stem Packing (for MH Series)</b>	
PTFE	-65 to 400 (-54 to 232)
Graphite	-65 to 850 (-54 to 454)

## Standard Materials of Construction

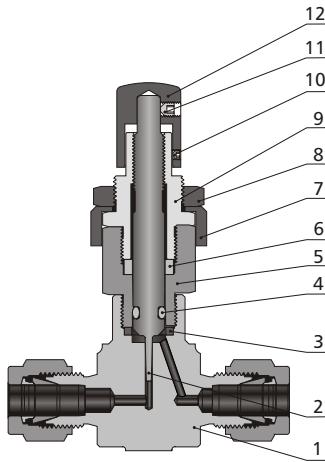
### MS Series



Component		Valve Body Material Grade/ASTM Specification	
		316 SS	Brass
1	Body	316 SS/A182	Silver-mist chrome-plated C37700/B283
2	Stem	S17400 SS/A564	
3	Body Seal	Fluorocarbon FKM	
4	O-ring	Fluorocarbon FKM	
5	Panel Mount Nut	Stainless steel	Silver-mist chrome-plated C36000/B16
6	Bonnet	316 SS/A479	Silver-mist chrome-plated C36000/B16
7	Lock Screw	Stainless steel	
8	Handle Screw	Stainless steel	
9	Handle	316 SS/A276	Silver-mist chrome-plated C36000/B16

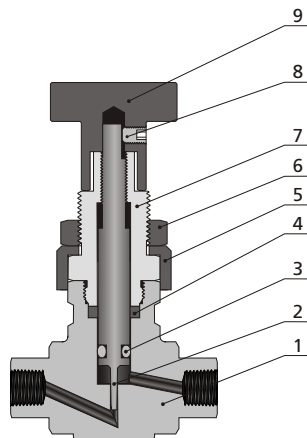
### 3 Metering Valves

#### MV Series



Component		Valve Body Material Grade/ASTM Specification	
		316 SS	Brass
1	Body	316 SS/A182	Silver-mist chrome-plated C37700/B283
2	Stem	316 SS/A479	
3	Body Seal	Fluorocarbon FKM	
4	O-ring	Fluorocarbon FKM	
5	Body Extension	316 SS/A479	Silver-mist chrome-plated C36000/B16
6	Stem Guide Ring	PTFE/D1710	
7	Bonnet Sleeve	Stainless steel	
8	Pannel Mount Nut	316 SS/A276	Silver-mist chrome-plated C36000/B16
9	Bonnet	316 SS/A479	Silver-mist chrome-plated C36000/B16
10	Lock Screw	Stainless steel	
11	Handle Screw	Stainless steel	
12	Handle	316 SS/A276	Silver-mist chrome-plated C36000/B16

#### ML Series

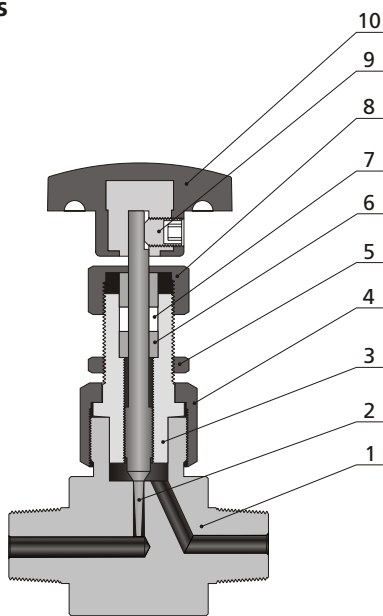


Component		Valve Body Material Grade/ASTM Specification	
		316 SS	Brass
1	Body	316 SS/A182	Silver-mist chrome-plated C37700/B283
2	Stem	Hard chrome-plated 316 SS/A479	
3	O-ring	Fluorocarbon FKM	
4	Stem Guide Ring	PTFE/D1710	
5	Bonnet Sleeve	Stainless steel	
6	Pannel Mount Nut	316 SS/A276	Silver-mist chrome-plated C36000/B16
7	Bonnet	316 SS/A479	Silver-mist chrome-plated C36000/B16
8	Handle Screw	Stainless steel	
9	Handle	316 SS/A276	Silver-mist chrome-plated C36000/B16

1. Lubricants: Silicone-based

2. Contact the authorized representative or FITOK Group for other materials.

MH Series



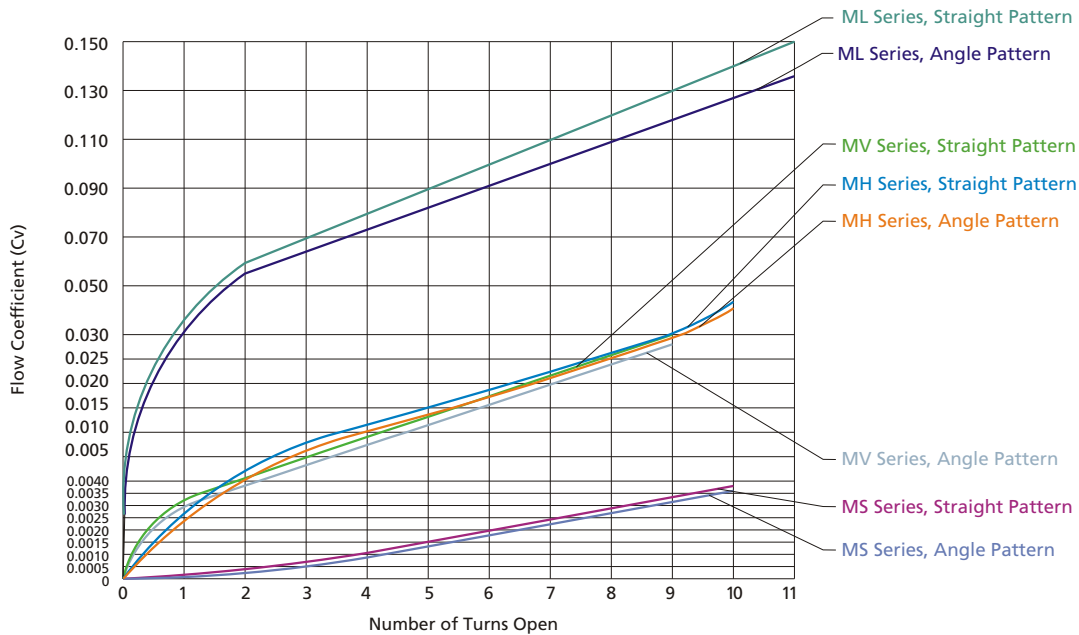
Component		Material Grade/ASTM Specification
1	Body	316 SS/A479
2	Stem	440C SS/A276
3	Bonnet	316 SS/A479
4	Union Nut	316 SS/A276
5	Panel Mount Nut	Stainless steel
6	Packing Gland	316 SS/A276
7	Packing	PTFE/D1710
8	Union Nut	316 SS/A276
9	Handle Screw	Stainless steel
10	Handle	Nylon

Lubricant: Silicone-based

Flow Data at 70°F (20°C)

Pressure Drop to Atmosphere psig (bar)	MS Series		MV Series		ML Series		MH Series	
	Air Flow std ft <sup>3</sup> /min (std L/min)	Water Flow U.S. gal/min (L/min)	Air Flow std ft <sup>3</sup> /min (std L/min)	Water Flow U.S. gal/min (L/min)	Air Flow std ft <sup>3</sup> /min (std L/min)	Water Flow U.S. gal/min (L/min)	Air Flow std ft <sup>3</sup> /min (std L/min)	Water Flow U.S. gal/min (L/min)
10 (0.69)	0.04 (1.1)	0.01 (0.03)	0.33 (9.3)	0.09 (0.34)	2.00 (56.6)	0.51 (1.90)	0.45 (12.7)	0.12 (0.45)
50 (3.45)	0.10 (2.8)	0.02 (0.07)	0.90 (25.4)	0.21 (0.79)	6.40 (181)	1.20 (4.50)	1.20 (33.9)	0.28 (1.00)
100 (6.90)	0.20 (5.6)	0.04 (0.15)	1.50 (42.4)	0.30 (1.10)	11.40 (323)	1.70 (6.40)	2.10 (59.4)	0.40 (1.50)

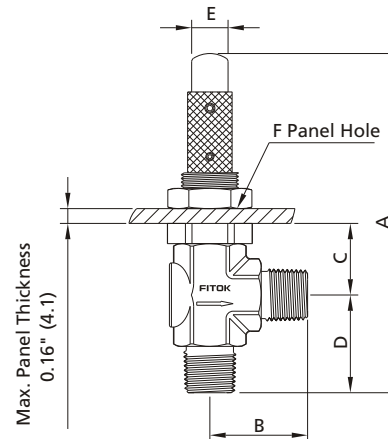
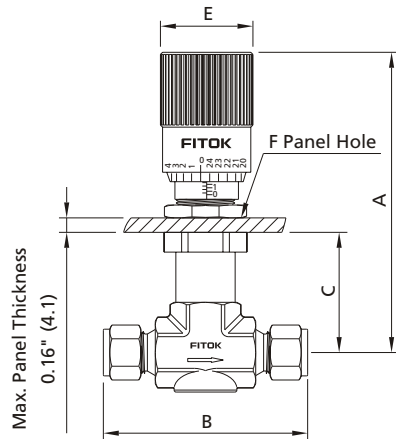
Flow Coefficient at Turns Open



## 5 Metering Valves

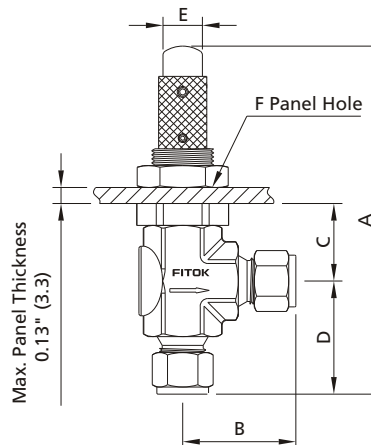
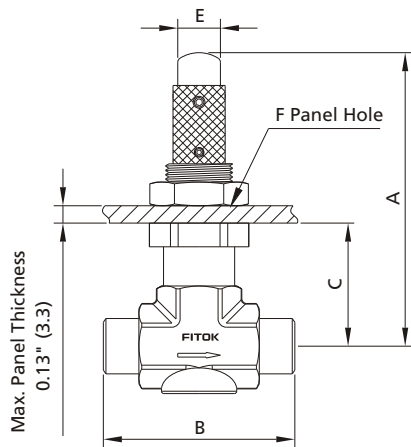
### Dimensions

#### MS Series



Basic Ordering Number	Connection Type and Size		Dimension, in. (mm)					
	Inlet	Outlet	A	B	C	D	E	F
<b>Straight Pattern</b>								
MS□ □ -FL1-	1/16" FITOK	1/16" FITOK	2.34 (59.4)	1.56 (39.6)	0.92 (23.4)	—	0.38 (9.6)	0.45 (11.4)
MS□ □ -FL2-	1/8" FITOK	1/8" FITOK		2.04 (51.8)				
MS□ □ -FL4-	1/4" FITOK	1/4" FITOK						
MS□ □ -ML3-	3 mm FITOK	3 mm FITOK						
MS□ □ -ML6-	6 mm FITOK	6 mm FITOK						
MS□ □ -FR4-	1/4 Male FR	1/4 Male FR						
<b>Angle Pattern</b>								
MS□ □ -FL1-	1/16" FITOK	1/16" FITOK	2.96 (75.5)	0.81 (20.6)	0.92 (23.4)	0.81 (20.6)	0.38 (9.6)	0.45 (11.4)
MS□ □ -FL2-	1/8" FITOK	1/8" FITOK	3.07 (78.0)	0.98 (24.9)		0.98 (24.9)		
MS□ □ -FL4-	1/4" FITOK	1/4" FITOK	3.11 (79.0)	1.02 (25.9)		1.02 (25.9)		
MS□ □ -ML3-	3 mm FITOK	3 mm FITOK	3.07 (78.0)	0.98 (24.9)		0.98 (24.9)		
MS□ □ -FNS2-	1/8 Female NPT	1/8 Female NPT						

MV and ML Series



Basic Ordering Number	Connection Type and Size		Dimension, in. (mm)					
	Inlet	Outlet	A	B	C	D	E	F

**Straight Pattern**

MV □ -FL2-	1/8" FITOK	1/8" FITOK	2.64 (67.1)	2.02 (51.3)	1.52 (38.5)	—	0.50 (12.7)	0.58 (14.7)
MV □ -FL4-	1/4" FITOK	1/4" FITOK		2.20 (55.9)				
MV □ -ML3-	3 mm FITOK	3 mm FITOK		2.02 (51.3)				
MV □ -ML6-	6 mm FITOK	6 mm FITOK		2.20 (55.9)				
MV □ -NS2-	1/8 Male NPT	1/8 Male NPT		1.60 (40.6)				
MV □ -NS4-	1/4 Male NPT	1/4 Male NPT		1.96 (49.8)				
MV □ -FNS2-	1/8 Female NPT	1/8 Female NPT		1.94 (49.3)				
MV □ -FR4-	1/4 Male FR	1/4 Male FR		2.06 (52.3)				

**Angle Pattern**

MV □ -FL2-	1/8" FITOK	1/8" FITOK	3.65 (92.8)	1.01 (25.7)	1.07 (27.2)	1.01 (25.7)	0.50 (12.7)	0.58 (14.7)
MV □ -FL4-	1/4" FITOK	1/4" FITOK	3.74 (95.0)	1.10 (27.9)		1.10 (27.9)		
MV □ -ML3-	3 mm FITOK	3 mm FITOK	3.65 (92.8)	1.01 (25.7)		1.01 (25.7)		
MV □ -ML6-	6 mm FITOK	6 mm FITOK	3.74 (95.0)	1.10 (27.9)		1.10 (27.9)		
MV □ -NS2-	1/8 Male NPT	1/8 Male NPT	3.44 (87.4)	0.80 (20.3)		0.80 (20.3)		
MV □ -NS4-	1/4 Male NPT	1/4 Male NPT	3.62 (92.0)	0.98 (24.9)		0.98 (24.9)		
MV □ -FNS2-	1/8 Female NPT	1/8 Female NPT	3.61 (91.7)	0.97 (24.6)		0.97 (24.6)		
MV □ -FR4-	1/4 Male FR	1/4 Male FR						

Basic Ordering Number	Connection Type and Size		Dimension, in. (mm)					
	Inlet	Outlet	A	B	C	D	E	F

**Straight Pattern**

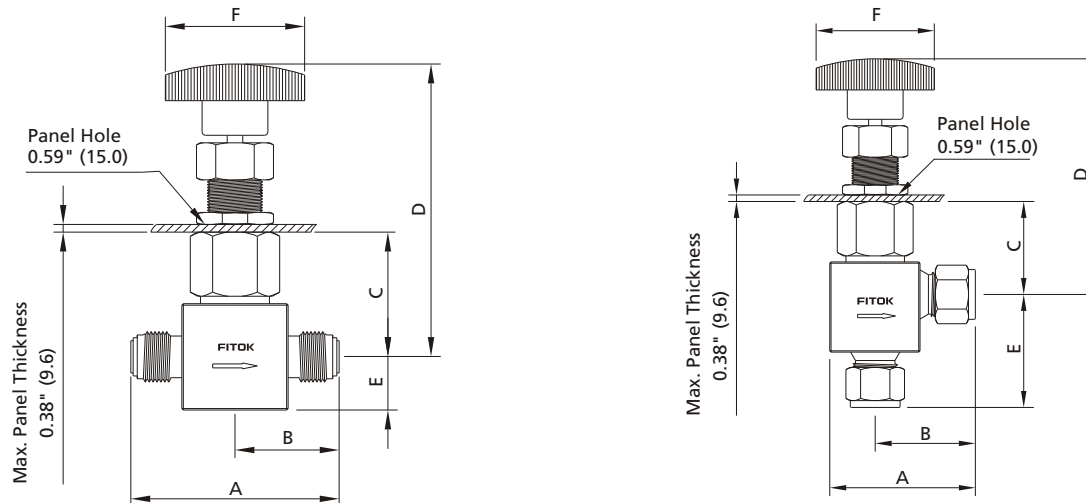
ML □ -FL4-	1/4" FITOK	1/4" FITOK	2.72 (69.1)	2.34 (59.4)	1.26 (32.0)	—	1.13 (28.7)	0.58 (14.7)
ML □ -FL6-	3/8" FITOK	3/8" FITOK		2.46 (62.5)				
ML □ -ML6-	6 mm FITOK	6 mm FITOK		2.34 (59.4)				
ML □ -NS4-	1/4 Male NPT	1/4 Male NPT		2.00 (50.8)				

**Angle Pattern**

ML □ -FL4-	1/4" FITOK	1/4" FITOK	3.89 (98.8)	1.17 (29.7)	1.26 (32.0)	1.17 (29.7)	1.13 (28.7)	0.58 (14.7)
ML □ -ML6-	6 mm FITOK	6 mm FITOK						

## 7 Metering Valves

### MH Series

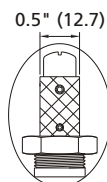


Basic Ordering Number	Connection Type and Size		Dimension, in. (mm)					
	Inlet	Outlet	A	B	C	D	E	F
<b>Straight Pattern</b>								
MH □ -FL4-	1/4" FITOK	1/4" FITOK	2.40 (61.0)	1.20 (30.5)	1.09 (27.7)	3.86 (98.0)	0.38 (9.6)	1.38 (35.1)
MH □ -ML6-	6 mm FITOK	6 mm FITOK						
MH □ -FNS2-	1/8 Female NPT	1/8 Female NPT	2.00 (50.8)	1.00 (25.4)			0.40 (10.1)	
MH □ -FNS4-	1/4 Female NPT	1/4 Female NPT	2.06 (52.3)	1.03 (26.2)				
<b>Angle Pattern</b>								
MH □ -FL4-	1/4" FITOK	1/4" FITOK	1.54 (39.1)	1.16 (29.5)	1.09 (27.7)	3.86 (98.0)	1.48 (37.6)	1.38 (35.1)
MH □ -ML6-	6 mm FITOK	6 mm FITOK						
MH □ -FNS2-	1/8 Female NPT	1/8 Female NPT	1.28 (32.5)	0.91 (23.1)			1.00 (25.4)	
MH □ -FNS4-	1/4 Female NPT	1/4 Female NPT						

## Optional Handles

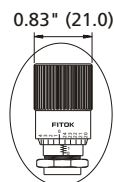
### Slotted Handle

- ⦿ Flow setting adjustment is available with a screwdriver
- ⦿ Ideal for installation where handle is difficult to access
- ⦿ Available for MS and MV series



### Vernier Handle

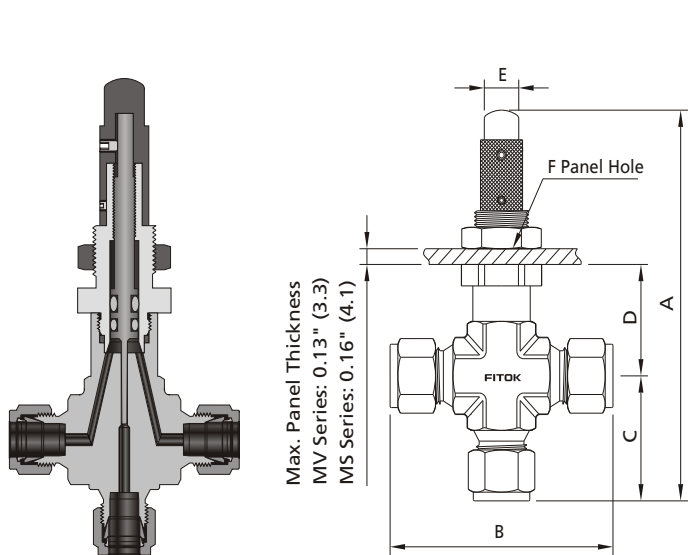
- ⦿ Precise graduated aluminum alloy handle
- ⦿ Repeatable flow setting
- ⦿ Adjustment accurate to 1/25 turn (1/1000 of an inch)
- ⦿ Available for all series



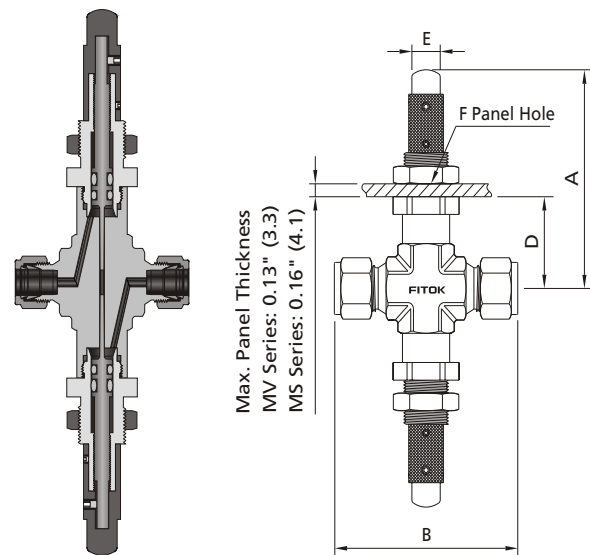


## Optional Patterns

### Cross Pattern



### Double Pattern



1. Fluid flows between side ports around stem in any stem position.
2. Fluid flows through branch port can be metered in both directions.

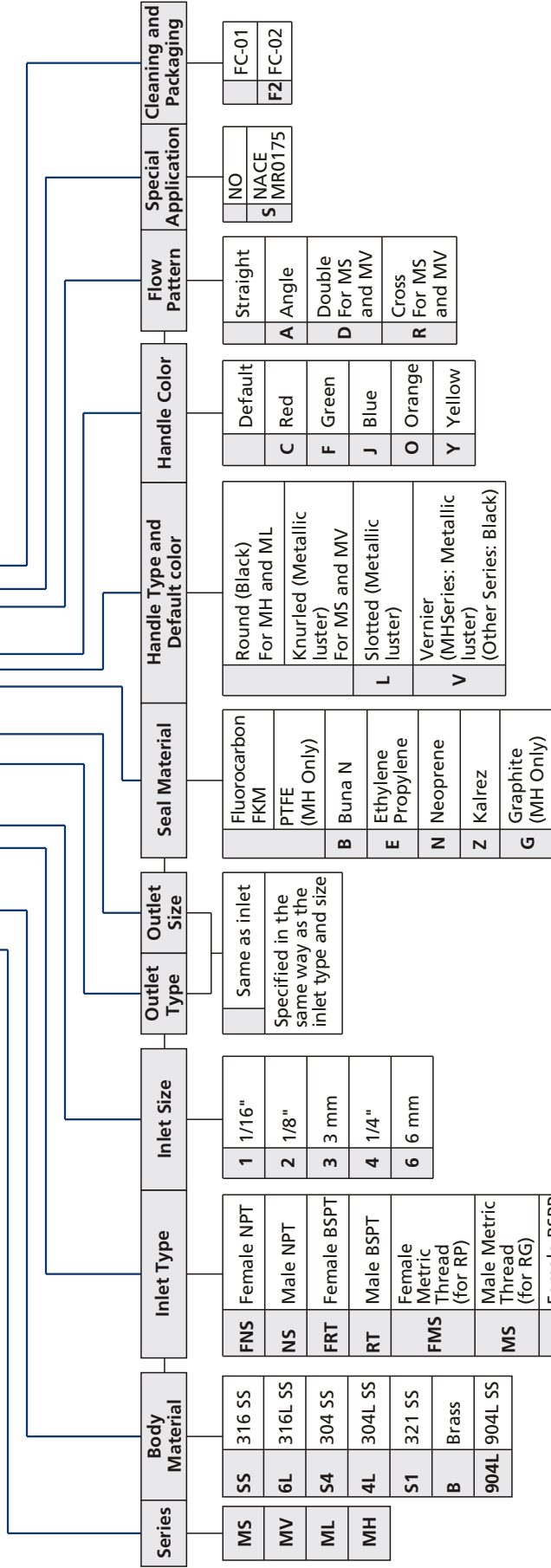
Inlet valve handle can be set and locked at desired maximum flow, outlet valve handle can be used for fine flow control up to the preset maximum of the inlet valve.

Basic Ordering Number	Connection Type and Size		Dimension, in. (mm)					
	Inlet	Outlet	A	B	C	D	E	F
<b>Cross Pattern</b>								
MS□ □ -FL2-	1/8" FITOK	1/8" FITOK	3.32 (84.3)	1.96 (49.8)	0.98 (24.9)	0.92 (23.4)	0.38 (9.6)	0.45 (11.4)
MS□ □ -ML3-	3 mm FITOK	3 mm FITOK						
<b>Double Pattern</b>								
MS□ □ -FL2-	1/8" FITOK	1/8" FITOK	2.41 (61.2)	1.90 (48.3)	—	0.99 (25.2)	0.38 (9.6)	0.45 (11.4)
MS□ □ -ML3-	3 mm FITOK	3 mm FITOK						
<b>Cross Pattern</b>								
MV□ □ -FL4-	1/4" FITOK	1/4" FITOK	3.74 (95.0)	2.20 (55.9)	1.10 (27.9)	1.52 (38.5)	0.50 (12.7)	0.58 (14.7)
MV□ □ -ML6-	6 mm FITOK	6 mm FITOK						
<b>Double Pattern</b>								
MV□ □ -FL4-	1/4" FITOK	1/4" FITOK	2.62 (67.1)	2.20 (55.9)	—	1.52 (38.5)	0.50 (12.7)	0.58 (14.7)
MV□ □ -ML6-	6 mm FITOK	6 mm FITOK						

1. FITOK means FITOK double ferrule tube fittings, FR means metal gasket seal fittings.
2. Sizes and types listed are standard. Other sizes and types are available upon request. For special sizes and types, refer to the ordering information.
3. Dimensions are shown with FITOK nuts finger-tightened. All dimensions are for reference only and are subject to change. For dimensions not shown above, please contact the authorized representative or FITOK Group.

Part Number Description

MVSS – FL4 – ML6 – EVJ – ASF2



Note: "Part Number Description" is used for composition rules of FITOK product model, Not suitable for specific product part number selection, not random combinations. If in doubt, please contact FITOK group or authorized agent.

1. Cleaning and Packaging:

FC-01: Standard cleaning and packaging for general industrial procedures.

FC-02: Special cleaning and packaging for wetted system components to ensure compliance with product cleaning requirement as stated in ASTM G93 Level C.

## **FITOK Group**

### **FITOK GmbH (Headquarter)**

Sprendlinger Landstr. 115, 63069 Offenbach am Main, Germany  
Tel.: +49 69 8900 4498 Fax: +49 69 8900 4495

### **FITOK, Inc.**

13843 North Promenade Blvd., Suite 750, Stafford, Texas 77477, USA  
Tel.: +1 281 888 0077 Fax: +1 281 582 4051

### **FITOK Incorporated**

1-4F, Block C, Zone E, Yingtailong Industrial Park, Dalang Street,  
Longhua District, Shenzhen, 518109, China  
Tel.: +86 755 2803 2500 Fax: +86 755 2803 2619

### **FITOK Middle East Oil Equipment Trading LLC**

208-209, Makateb Tower, Airport Road, P.O.Box 185412, Deira, Dubai, UAE  
Tel.: +971 4 2959 853 Fax: +971 4 2959 854

[info@fitokgroup.com](mailto:info@fitokgroup.com)  
[www.fitokgroup.com](http://www.fitokgroup.com)

FK-IC-GV-05-EN-151211